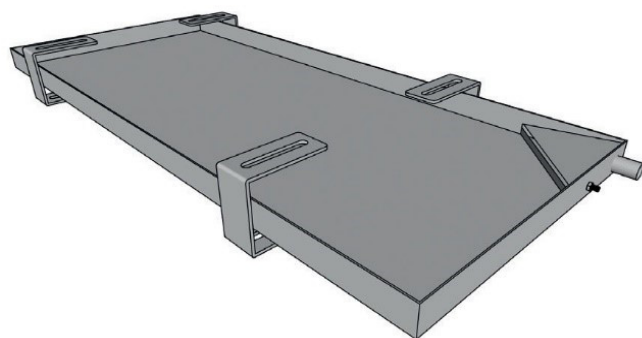


## Standardgrößen

## Ölprotektor

## Ölmenge



<b>CUW - 1</b>	
35 x 320 x 900 mm	1,19 l
<b>CUW - 2</b>	
35 x 400 x 950 mm	1,52 l
<b>CUW - 3</b>	
35 x 500 x 1.150 mm	2,30 l
<b>CUW - 4</b>	
35 x 850 x 1.140 mm	3,87 l
<b>CUW - 5</b>	
35 x 930 x 1.140 mm	4,24 l
<b>CUW - 6</b>	
35 x 780 x 1.500 mm	4,68 l
<b>CUW - 7</b>	
35 x 1.200 x 1.500 mm	5,40 l
<b>CUW - 8</b>	
35 x 1.430 x 850 mm	4,90 l
<b>CUW - 9</b>	
35 x 1.250 x 590 mm	3,00 l
<b>CUW - 10</b>	
35 x 1.750 x 850 mm	5,80 l
<b>CUW - 11</b>	
35 x 1200 x 1200 mm	6,70 l
<b>CUW - 12</b>	
35 x 1750 x 1200 mm	9,80 l